

If all trees were identical ... all wood would look alike but no two pieces of wood are exactly alike, even from the same tree. Due to the difference in natural colour and grain, each piece of wood will react differently to the finishing materials used. Closed grained woods absorb less and will vary in colour from more opened grained pieces of the very same woods. You will notice that the fine woods used in Laurysen Kitchens Ltd. will vary in grain and colour even in the same door. These variations are the distinguishing beauty marks of quality wood.

Warranty:

Laurysen Kitchens Ltd. provides a limited 5 year warranty on materials and workmanship. The availability of material used is subject to change without notice to ensure Laurysen Kitchens' high quality.

We have based our reputation on a quality product and excellent service. We stand behind all our products.

Cabinets:

5 year limited warranty on materials and workmanship.

Drawer Slides & Hinges:

Life-time warranty.

Doors:

5 year limited warranty. 1 year warranty against warping under 42" in height.

Finishes:

5 year limited warranty. All our lacquer finishes contain an ultra-violet inhibitor which prevents yellowing of the finish. However, this inhibitor does not prevent the wood from naturally aging.

Post formed Counter tops:

1 year limited warranty. Please note: You have 24 hours after installation to report any surface scratches, bubbles, etc.

Thermo foil Doors:

5 year limited warranty.

Installation:

2 year limited warranty. Please note that any warranty claim filed 2 years after original date of installation will carry a labour charge to perform warranty work.

Cleaning

For regular cleaning, wipe doors with a damp cloth (either laminate or wood cabinets)

We advise not to use strong detergents, abrasive cleaners or self polishing waxes on cabinet surfaces as they may cause permanent damage.

For major cleaning, use warm soapy water and damp cloth to wipe doors. Do not use oil to clean surfaces (wood surfaces are lacquered and oils will not penetrate)

When wood surfaces lose their luster, we suggest you use "Trade Secret". These products can be purchased at any major retail hardware store or directly from Laurysen Kitchens Ltd. Your cabinets are pieces of furniture and should be treated as such. Therefore we suggest you use one of these products at least twice a year on your cabinets to maintain their look and beauty.

Nicks and scratches are unavoidable in today's kitchens and bathrooms. Putty sticks in matching colours are available from us upon request at a nominal cost.

The interior of all our cabinets are a high grade melamine finish (a protective coating applied onto the board by the manufacturer). Dishes should be dry when being put away in cabinets, prolonged exposure to water may cause severe spotting and or lifting. Shelf paper is not required to cover the shelves. A damp cloth is all you need to maintain a clean interior.

Countertops:

Post-formed Counter tops:

Standard post-formed tops are comprised of 5/8" particle board with plastic laminate adhered to the surface as a protective coating and decorative finish.

- Abrasive cleaners or steel wool should not be used to clean the laminate surface.
- Bleach should never be allowed to rest for any extended period of time on the laminate surface. Light spots will form and surface will appear blotchy.
- Do not use laminate surface as a cutting board. Damage caused by this type of action will be permanent.

- Use insulating pads with hot pots and electrical appliances to avoid burn marks and heat bubbles.
- Seams/joints should be kept dry as much as possible. Excess water may cause de-laminating of plastic laminate and/or swelling of core. Water damage is not a manufacturer's defect and is not covered by the warranty.
- For stubborn stains use a damp sponge with a liquid cleanser (non abrasive), and rub gently in circular motions. Be sure to rinse thoroughly with clean water and dry properly.
- Tops may shift slightly due to house settlement. When this occurs, simply cover the gap with additional silicone caulking.

Granite:

Granite is a natural stone formed in the earth from liquid and gas minerals. Every piece is one of a kind, created by nature. Seams are visible.

Everyday cleaning can be done with a clean cloth and water. A soapy solution made with dishwashing soap can also be used.

Do not use abrasive cleaners or ammonia based sprays. Extended use of these products can etch or dull the surface of the granite. You also need to be careful with acidic foods and cleaners to avoid etching the stone.

It is not necessary to reapply a stone sealer every year. However, there are various high quality maintenance products available specifically for granite. Should stains occur it should be addressed by a professional.

Solid Surface:

Manufactured product of acrylic and/or polyester resin with aluminum tri-hydrates. It is available in a wide array of colours with inconspicuous seams.

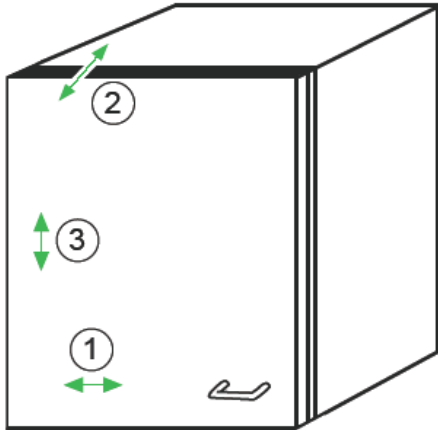
Clean with soap and water. Stains can be removed with a Scotch-Brite pad and abrasive cleaner. Scratches, burns and stains may be repaired or removed with sandpaper and refinishing of the surface. For tough stains, deep scratches etc. please contact a professional.

Door Alignment:

The Grass hinge offers 3-dimensional adjustment, allowing for precision on site installation adjustment.

The adjustment technology is integrated into the hinge and base-plate and allows for independent screw action.

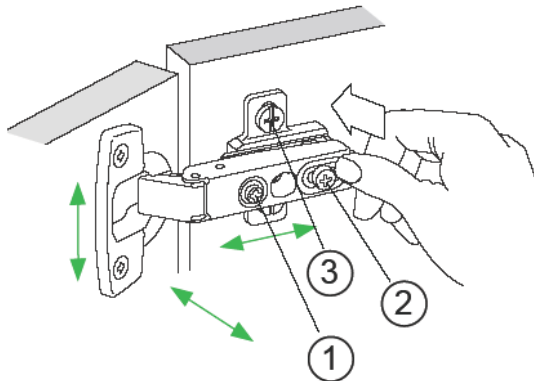
1. Side Adjustment
2. Depth Adjustment
3. Height Adjustment



2-Dimensional adjustable hinge with height adjustable base-plate allows for three-way adjustment. The side and depth adjustment are located on the hinge arm. Height adjustment base-plate combine to make 3-dimensional adjustment.

Use #2 POZI drive screwdriver (alternate - Philips screwdriver or star screwdriver) to adjust screws.

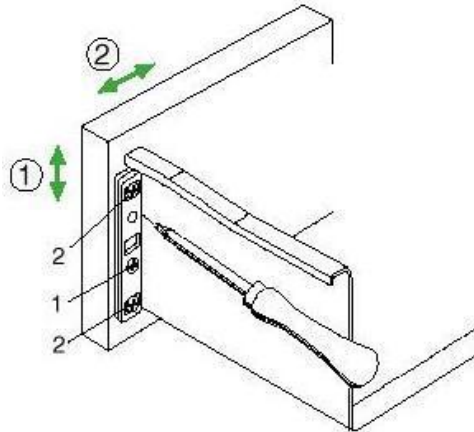
1. Side Adjustment
2. Depth Adjustment
3. Height Adjustment



Drawer Alignment:

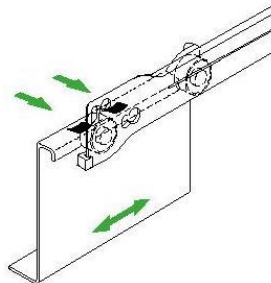
The Grass drawer box offers 2-dimensional adjustment, allowing for precision on site installation adjustment.

1. Height Adjustment: Loosen screws #2 slightly. Adjust screw #1 (adjustment +/- 2mm). Tighten screws.
2. Side adjustment: Loosen screws #2 slightly. Adjust front to required position (adjustment range +/- 1.5mm). Tighten screws #2.
3. Angle Correction: Loosen top screw or bottom screw #2 according to your needs. Push an angle correction wedge in between, tighten screws #2 and tear off wedge.
4. Angle correction +/-1mm.
5. After adjusting front panel, mount fixing screw.



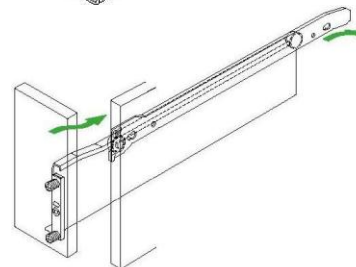
Double Stop

The double stop prevents the drawer from falling out while being extended. In addition, the drawer can be locked in the open position.



Self-Closing

The distinctive feature of all Grass drawer slides. From 2 5/8" out, the drawer closes quietly and smoothly. Drawers closed with force will not bounce back.



Laurysen Warranty Card

Since 1970, Laurysen Kitchens Ltd. has been manufacturing kitchen and bathroom cabinetry, wall units, residential millwork and closet organizers.

In this time we have built our reputation on quality, craftsmanship and service. We use only top quality material and modern manufacturing equipment.

Contained in this pamphlet are tips on how to care for and maintain your Laurysen cabinetry to give you years of beauty and enjoyment.

Please refer to your work order number for any future inquiries you may have:

Work Order Number:

Date of Purchase:

Dealer or Designer:

**Thank you for choosing Laurysen Kitchens Ltd.
We appreciate your business.**

Kitchens That Sizzle!